



TYANSHINE 广州市天河区光电有限公司  
Guangzhou Tianxin Photoelectric Co., Ltd

TYANSHINE 广州市天河区光电有限公司  
Guangzhou Tianxin Photoelectric Co., Ltd

TYANSHINE 广州市天河区光电有限公司  
Guangzhou Tianxin Photoelectric Co., Ltd

TYANSHINE 广州市天河区光电有限公司  
Guangzhou Tianxin Photoelectric Co., Ltd

TYANSHINE 广州市天河区光电有限公司  
Guangzhou Tianxin Photoelectric Co., Ltd

TYANSHINE 广州市天河区光电有限公司  
Guangzhou Tianxin Photoelectric Co., Ltd

TYANSHINE 广州市天河区光电有限公司  
Guangzhou Tianxin Photoelectric Co., Ltd

<b>Part No.</b>	TX-BGRWPY10B120-001C	<b>Spec No.</b>	WKF-BB9031	<b>Page</b>	1 of 10
-----------------	----------------------	-----------------	------------	-------------	---------



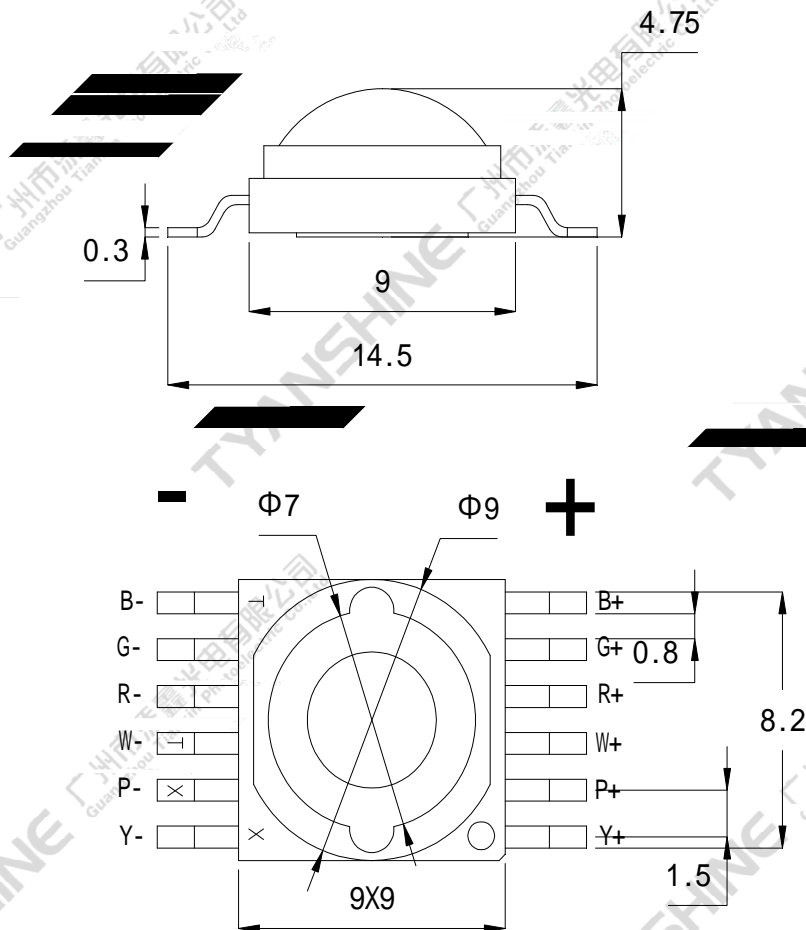
**Features:**

- ↵ Excellent Transiting Heat from LED Chip Operating under 400mA
- ↵ High Luminous Output
- ↵ No UV

**Typical purpose:**

- ↵ Portable Flashlight
- ↵ Garden lighting
- ↵ General Lighting

**Package Dimensions:**



<b>Part No.</b>	TX-BGRWPY10B120-001C	<b>Spec No.</b>	WKF-BB9031	<b>Page</b>	2 of 10
-----------------	----------------------	-----------------	------------	-------------	---------



TYANSHINE 广州市飞耀光电有限公司  
Guangzhou Tianxin Photoelectric Co., Ltd

TYANSHINE 广州市飞耀光电有限公司  
Guangzhou Tianxin Photoelectric Co., Ltd

TYANSHINE 广州市飞耀光电有限公司  
Guangzhou Tianxin Photoelectric Co., Ltd

TYANSHINE 广州市飞耀光电有限公司  
Guangzhou Tianxin Photoelectric Co., Ltd

TYANSHINE 广州市飞耀光电有限公司  
Guangzhou Tianxin Photoelectric Co., Ltd

TYANSHINE 广州市飞耀光电有限公司  
Guangzhou Tianxin Photoelectric Co., Ltd

TYANSHINE 广州市飞耀光电有限公司  
Guangzhou Tianxin Photoelectric Co., Ltd

<b>Part No.</b>	TX-BGRWPY10B120-001C	<b>Spec No.</b>	WKF-BB9031	<b>Page</b>	3 of 10
-----------------	----------------------	-----------------	------------	-------------	---------

TYANSHINE 广州市天彦光电有限公司  
Guangzhou Tianyan Photoelectric Co., Ltd.

TYANSHINE 广州市天彦光电有限公司  
Guangzhou Tianyan Photoelectric Co., Ltd.

TYANSHINE 广州市天彦光电有限公司  
Guangzhou Tianyan Photoelectric Co., Ltd.

TYANSHINE 广州市天彦光电有限公司  
Guangzhou Tianyan Photoelectric Co., Ltd.

TYANSHINE 广州市天彦光电有限公司  
Guangzhou Tianyan Photoelectric Co., Ltd.



**Notes:**

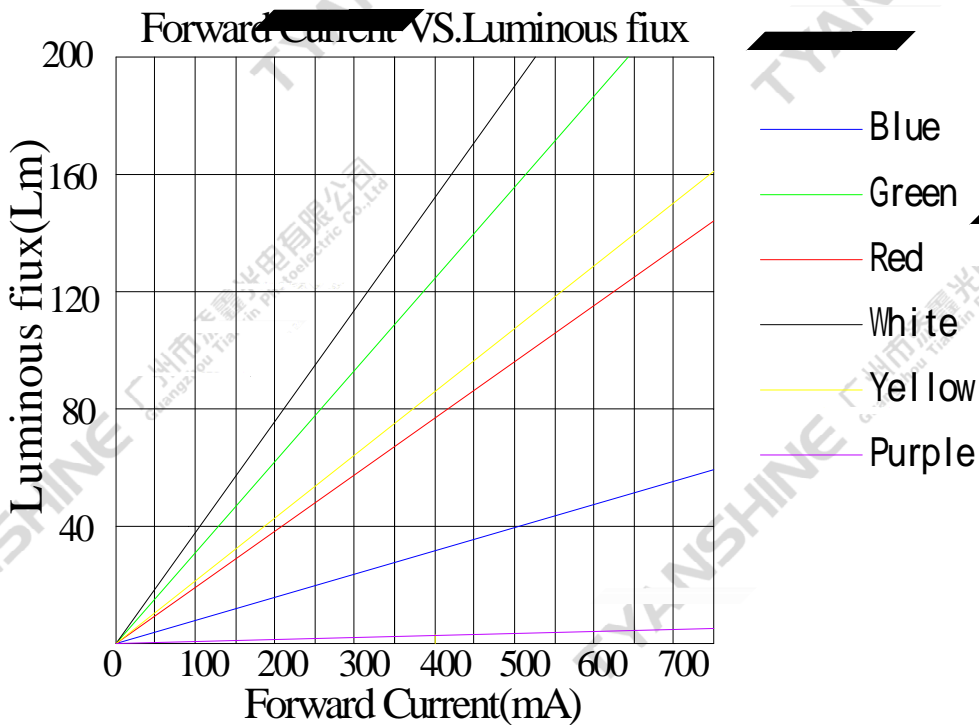
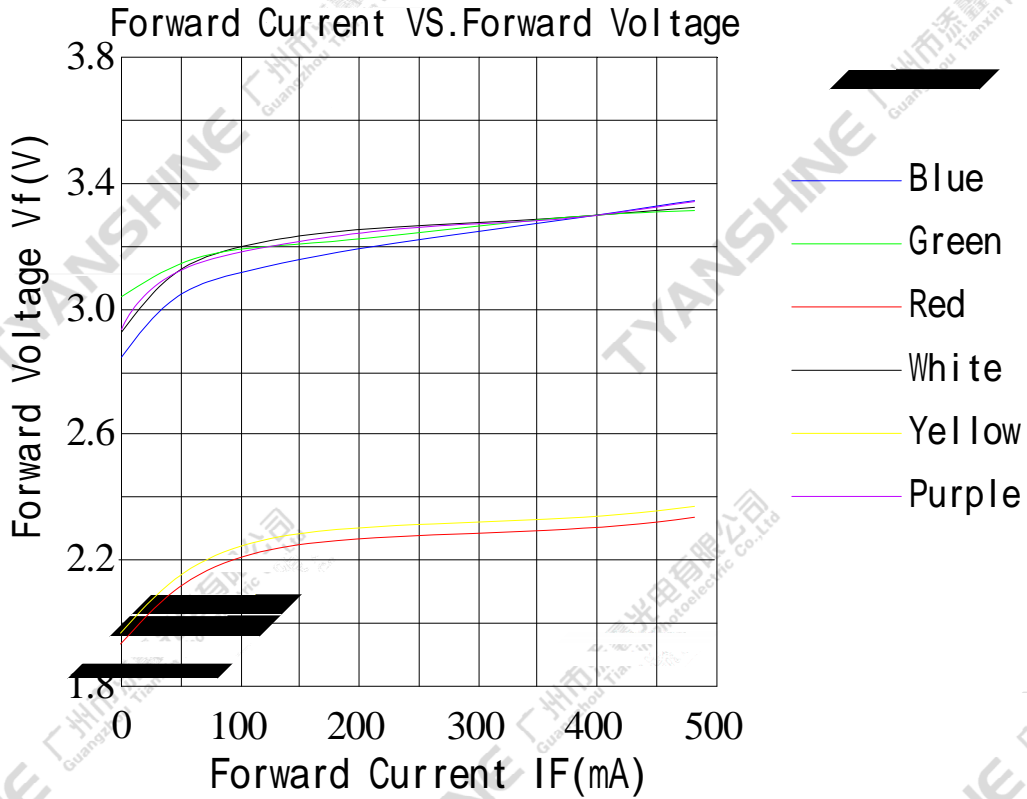
1. Luminous intensity is measured with a light sensor and filter combination that approximates the CIE eye-response curve.
2.  $\theta_{1/2}$  is the off-axis angle at which the luminous intensity is half the axial luminous intensity
3. The dominant wavelength ( $\lambda_d$ ) is derived from the CIE chromaticity diagram and represents the single wavelength which defines the color of the device.
4. Flux is measured with an accuracy of  $\pm 15\%$ .
5. Forward voltage is measured with an accuracy of  $\pm 0.15V$ .

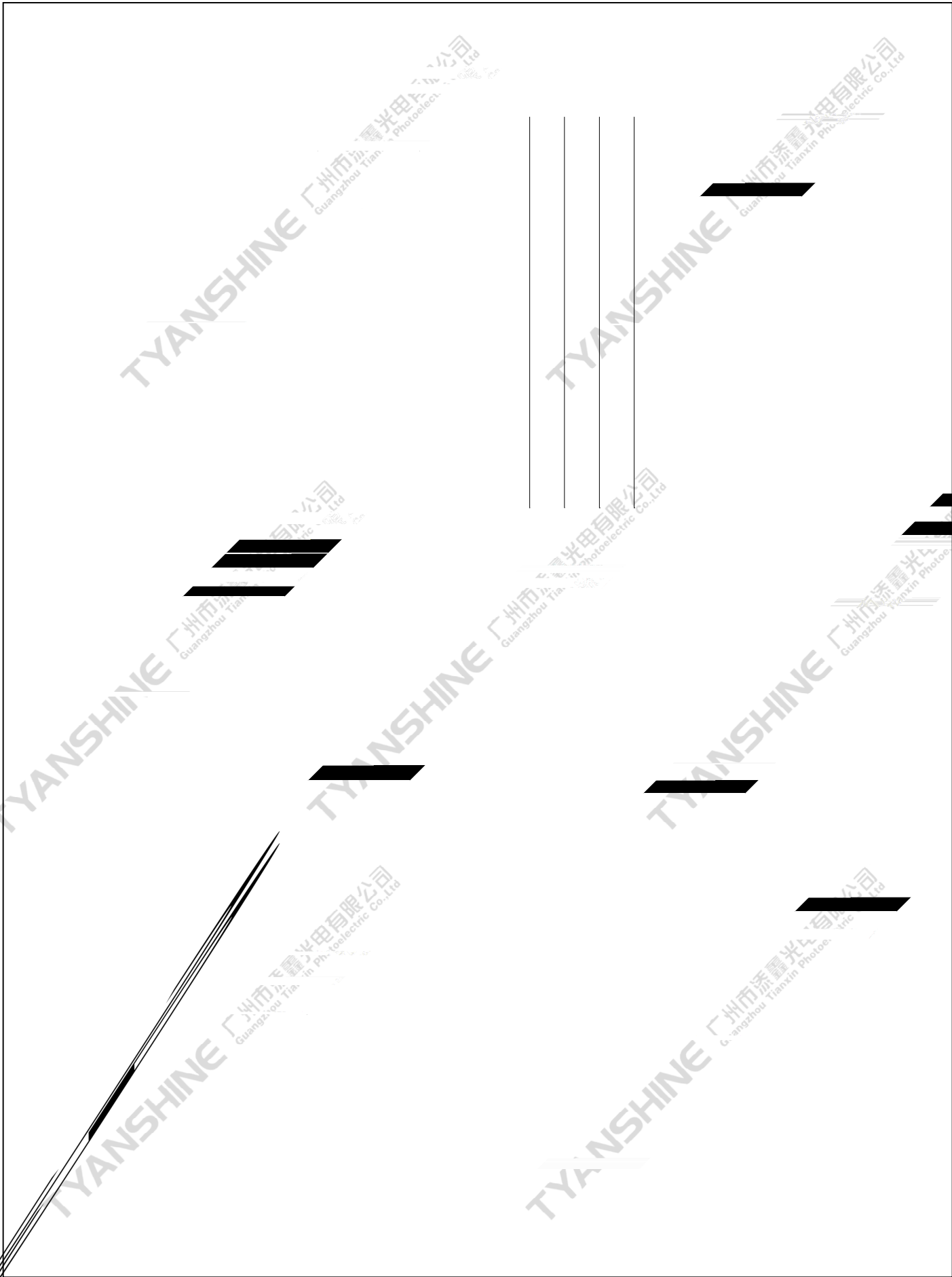
<b>Part No.</b>	TX-BGRWPY10B120-001C	<b>Spec No.</b>	WKF-BB9031	<b>Page</b>	5 of 10
-----------------	----------------------	-----------------	------------	-------------	---------



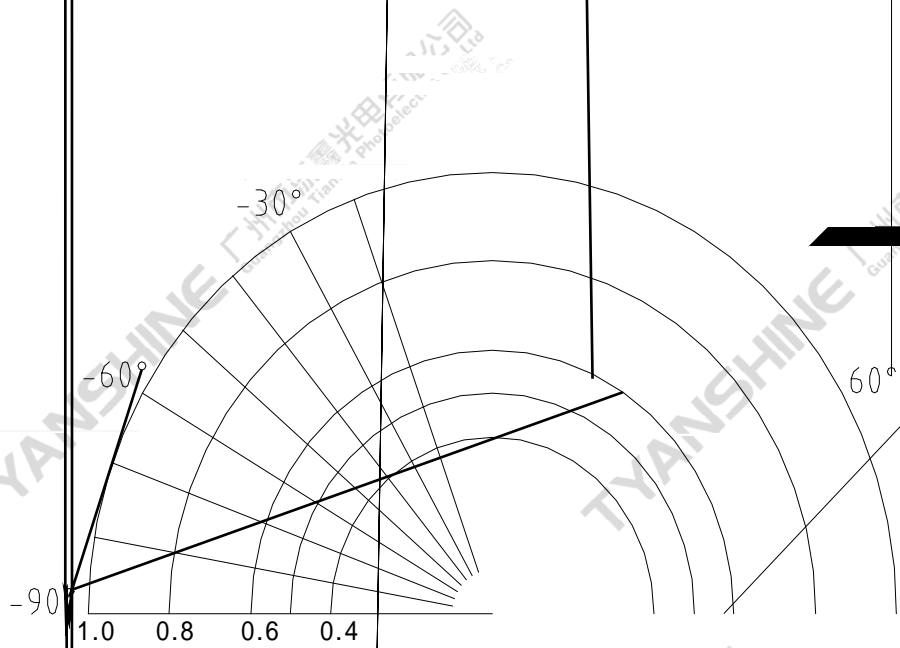
# Typical Electrical / Optical Characteristics Curves

(25 ° Ambient Temperature Unless Otherwise Noted)





<b>Part No.</b>	TX-BGRWPY10B120-001C	<b>Spec No.</b>	WKF-BB9031	<b>Page</b>	7 of 10
-----------------	----------------------	-----------------	------------	-------------	---------



<b>Part No.</b>	TX-BGRWPY10B120-001C	<b>Spec No.</b>	WKF-BB9031	<b>Page</b>	8 of 10
-----------------	----------------------	-----------------	------------	-------------	---------



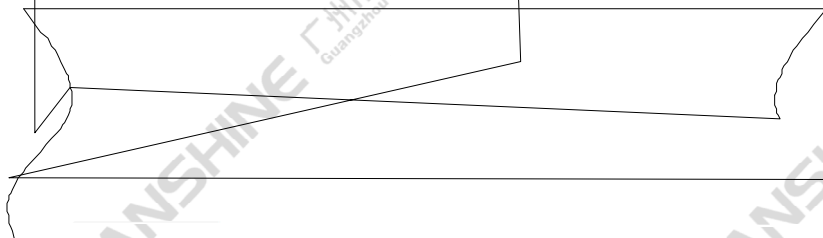
TYANSHINE 广州市天砚光电有限公司  
Guangzhou Tianyan Photoelectric Co., Ltd.

广州市天砚光电有限公司  
Guangzhou Tianyan Photoelectric Co., Ltd.



# Dimensions for Cannulation and Packaging

Quantity: 40PCS



<b>Part No.</b>	TX-BGRWPY10B120-001C	<b>Spec No.</b>	WKF-BB9031	<b>Page</b>	10 of 10
-----------------	----------------------	-----------------	------------	-------------	----------