

**TX-G3A140-010G**

**PRODUCT SPECIFICATION**

Approved by:

Checked by:

Prepared by:

<b>Part No.</b>	TX-G3A140-010G	<b>Spec No.</b>	WKF-BA3070	<b>Page</b>	1 of 8
-----------------	----------------	-----------------	------------	-------------	--------

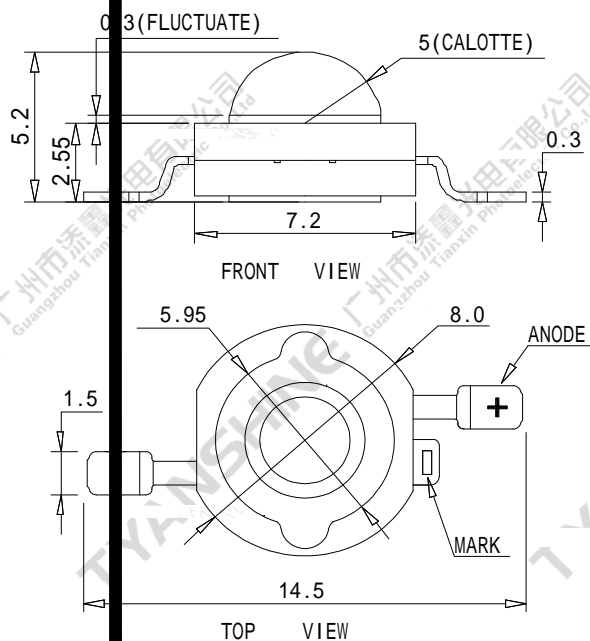
**Features:**

- ↖ Excellent Transiting Heat from LED Chip Operating under 700mA
- ↖ High Luminous Output
- ↖ No UV

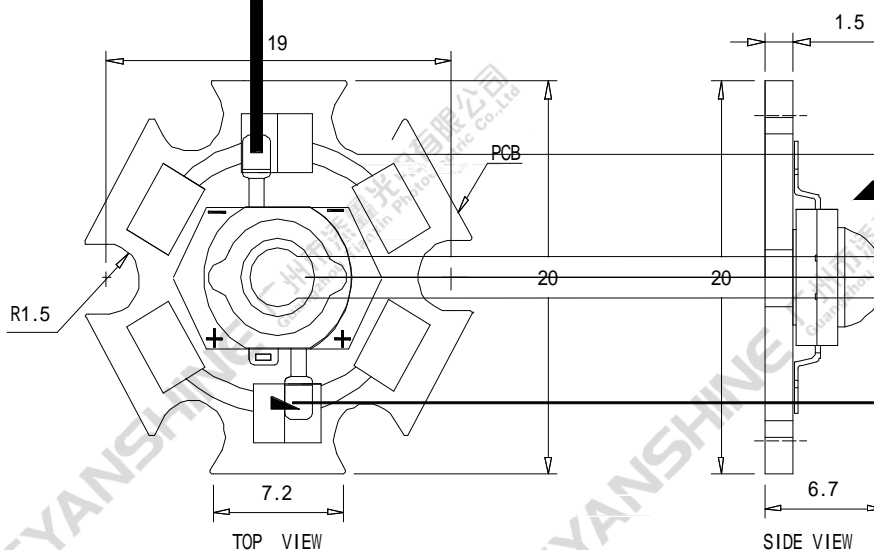
**Typical purpose:**

- ↖ Portable Flashlight
- ↖ Garden lighting
- ↖ General Lighting

**Package Dimensions:**



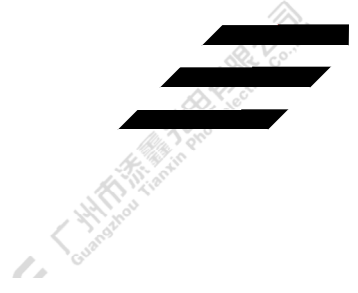
**Installs on the aluminum**



<b>Part No.</b>	TX-G3A140-010G	<b>Spec No.</b>	WKF-BA3070	<b>Page</b>	2 of 8
-----------------	----------------	-----------------	------------	-------------	--------

TYANSHINE 广州市添鑫光电有限公司  
Guangzhou Tianxin Photoelectric Co., Ltd.

TYANSHINE 广州市添鑫光电有限公司  
Guangzhou Tianxin Photoelectric Co., Ltd.



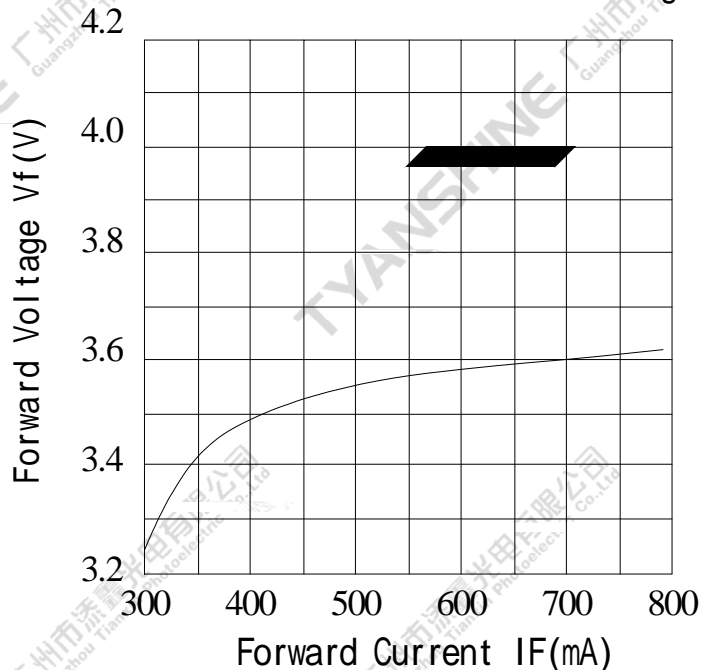
**Characteristics at  $I_f=700mA$  ,  $V_r=5V$  ( $T_a=25^\circ C$ ) \(\**

Parameter	Symbol	Values			Units
		Min.	Typ.	Max.	
Luminous Flux	$v$	175	220	—	lm
Viewing Angle at 50 $\lambda$ IV	$2\ 1/2$	—	140	—	Deg
Peak Emission Wavelength	$\lambda_p$	—	515	523	nm
Dominant Wavelength	$d$	520	522	530	nm
Spectral Line Half-Width	$\Delta\lambda$	30	35	40	nm
Forward Voltage	$V_f$	3.2	3.6	3.8	V
Reverse Current	$I_R$	—	—	10	$\mu A$
Thermal Resistance Junction to Case	$R_{J-C}$	—	—	—	$^\circ C/W$

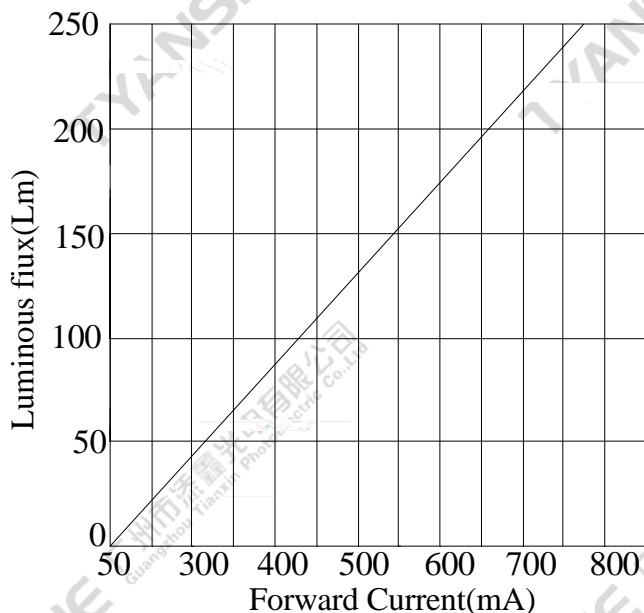
### Typical Electrical / Optical Characteristics Curves

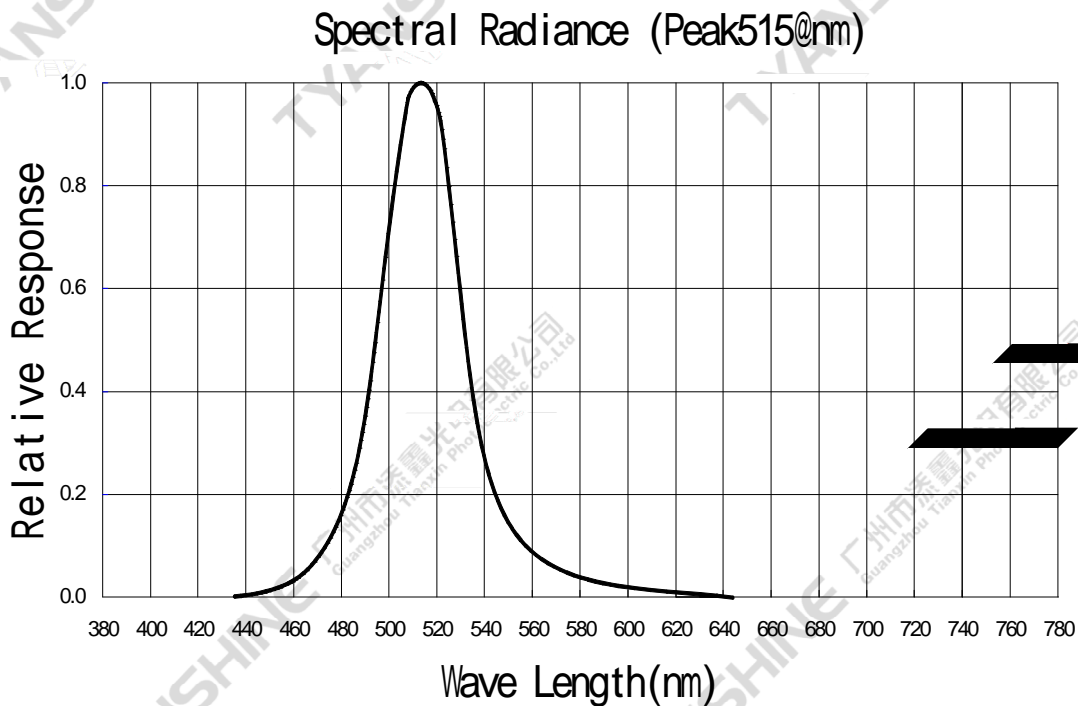
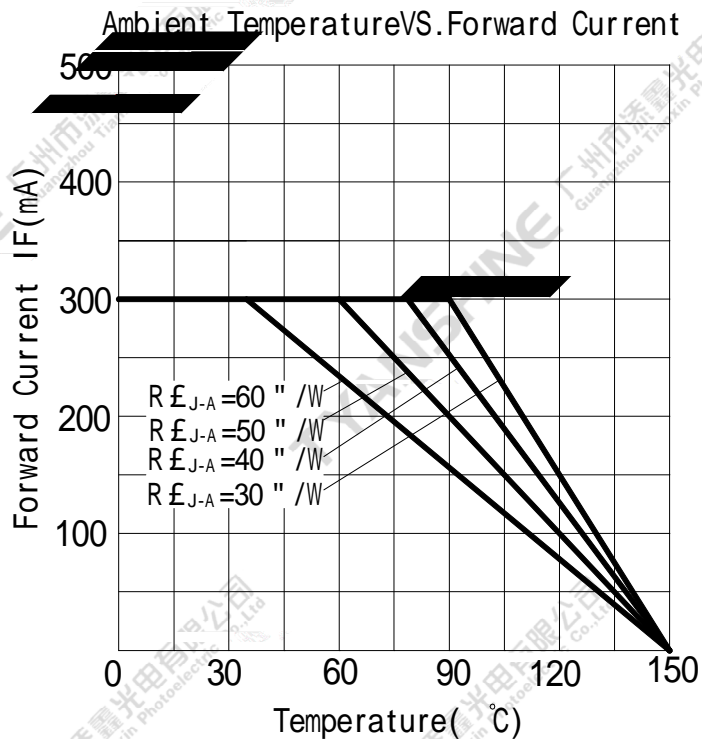
(25 " Ambient Temperature Unless Otherwise Noted)

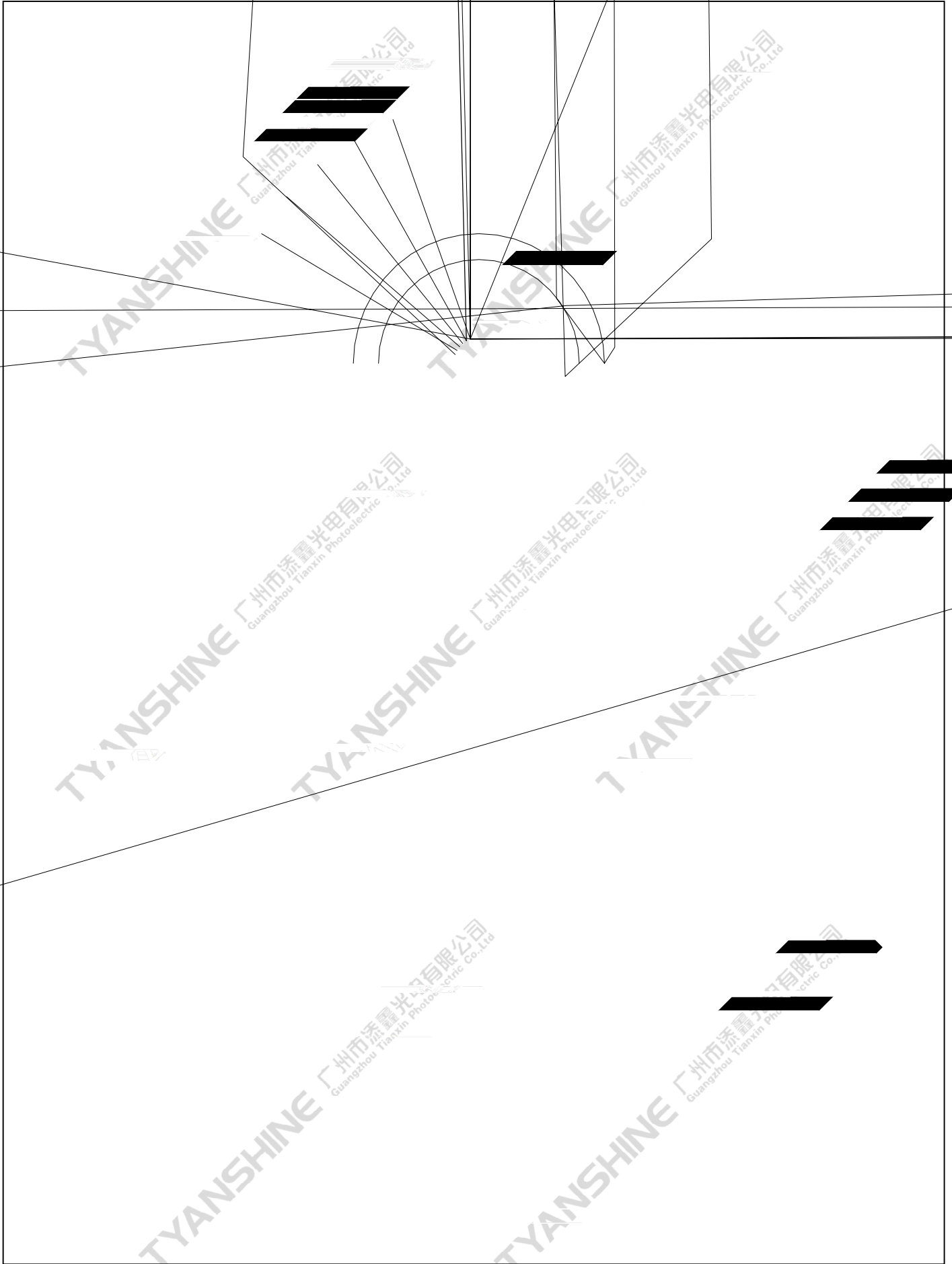
Forward Current VS.Forward Voltage



Forward Current VS.Luminous flux







<b>Part No.</b>	TX-G3A140-010G	<b>Spec No.</b>	WKF-BA3070	<b>Page</b>	7 of 8
-----------------	----------------	-----------------	------------	-------------	--------

