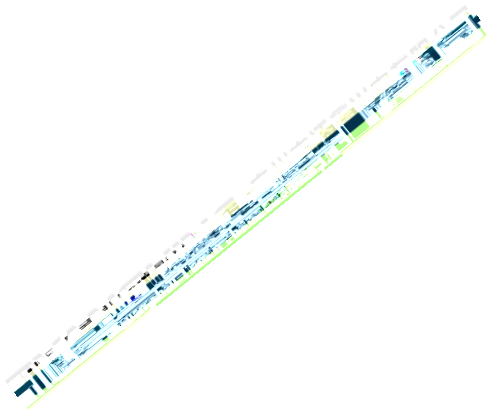
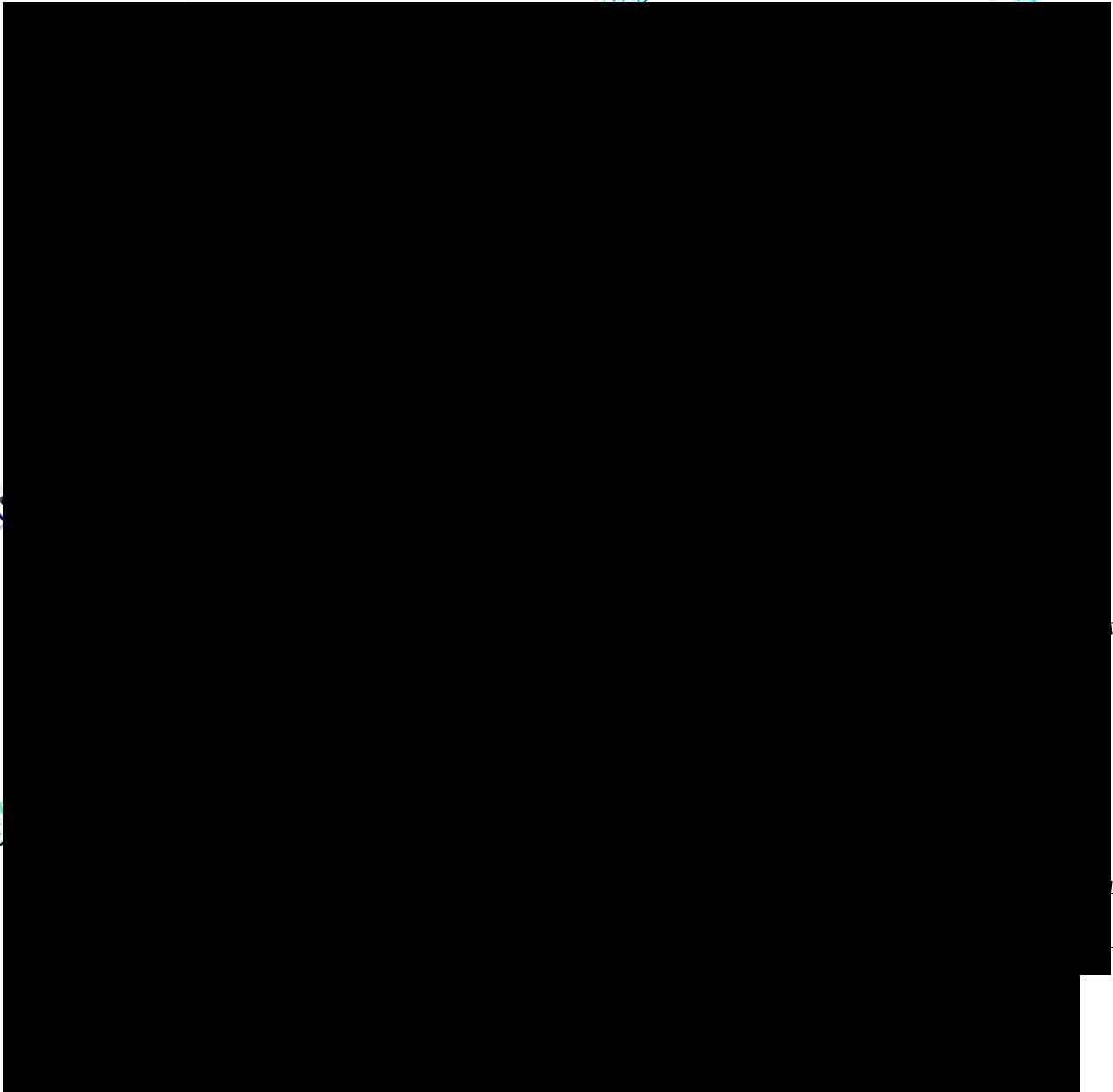




	-5050	20	120-	34-02		-	0884	1	10
--	-------	----	------	-------	--	---	------	---	----

://

:1.0



.	-5050	20	120-	34-02	.	-	0884	2	10
---	-------	----	------	-------	---	---	------	---	----

://

:1.0

			1500		
			1500		
			1500		
			2000		
			5		
			4650		
			5850		
			5400		
			7200		
			115		
			150		
			150		
			150		
			2000		
			-40 70		
			-30 100		
<p>1.</p> <p>2.</p> <p>3.</p>					

-5050

20 120-

34-02

- 0884

3 10

://

:1.0

					140	170	200
					325	365	405
					58	65	72
					410	460	510
					618	623	628
					519	524	529
					452	457	462
					628	633	638
					513	518	523
					447	452	457
					13	16	19
					29	34	39
					21	26	31
					20	24	28
					2.3	2.6	3.0
					3.2	3.6	3.9
					3.0	3.3	3.6
					3.0	3.3	3.6
					6000	6720	7000
							2
							2
							2
	50	2 1/2				120	
						3.8	
						4.9	
						4.9	
						3.2	
						0.8	
						-1	
						-4.9	
						-2.5	
						-1.9	

-5050

20 120-

34-02

- 0884

4 10

://

:1.0

			1	1	2	2	3	3	4	4
1	6000	6500	0.3210	0.3456	0.3129	0.3285	0.3109	0.3419	0.3200	0.3584
1	6500	7000	0.3131	0.3272	0.3071	0.3134	0.3047	0.3250	0.3112	0.3399

1.

2. 1/2

3.

()

4.

15%.

5.

: 0.15 .

-5050

20 120-

34-02

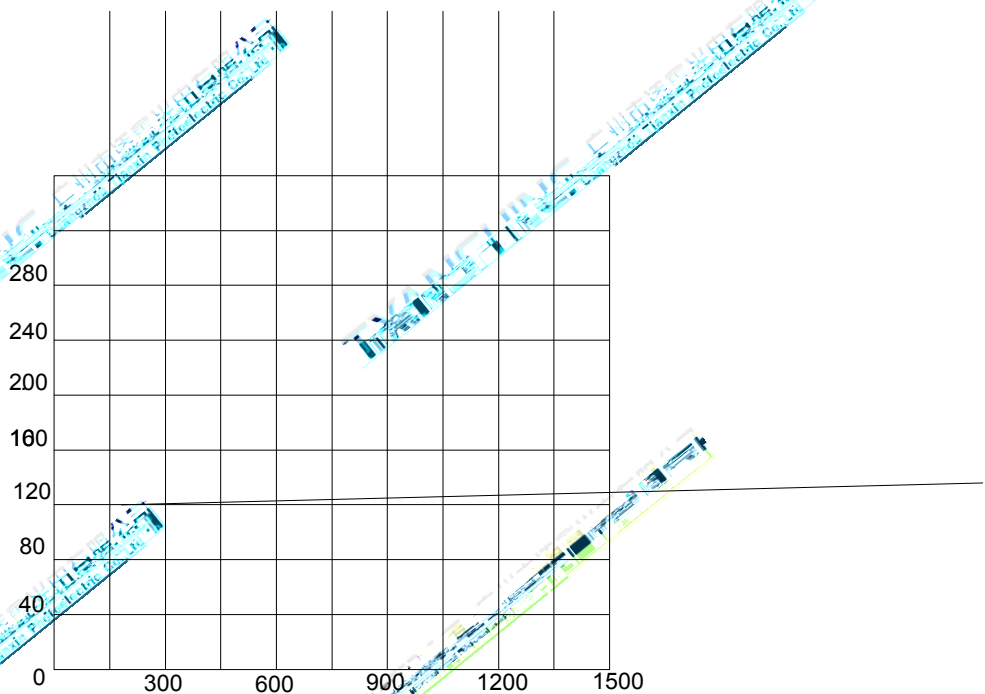
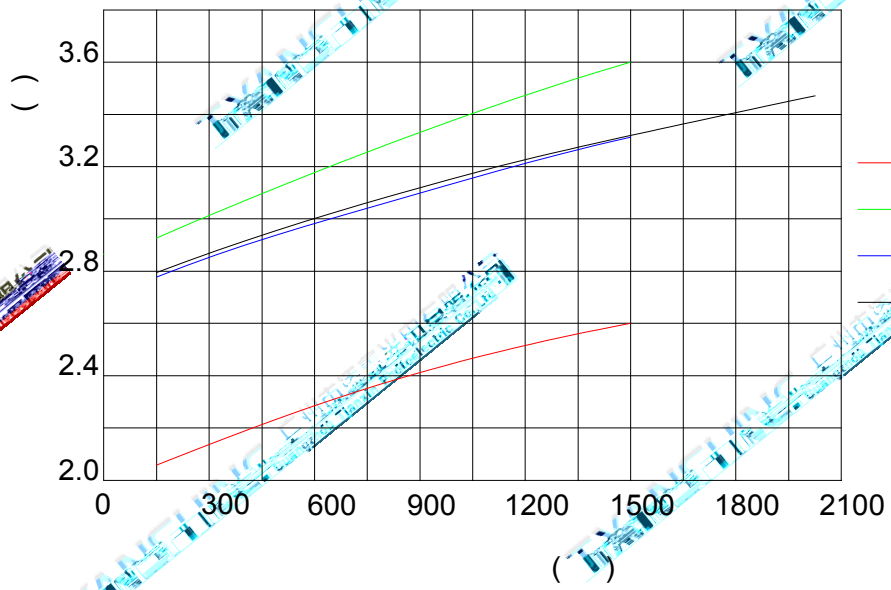
- 0884

5 10

://

:1.0

(25)



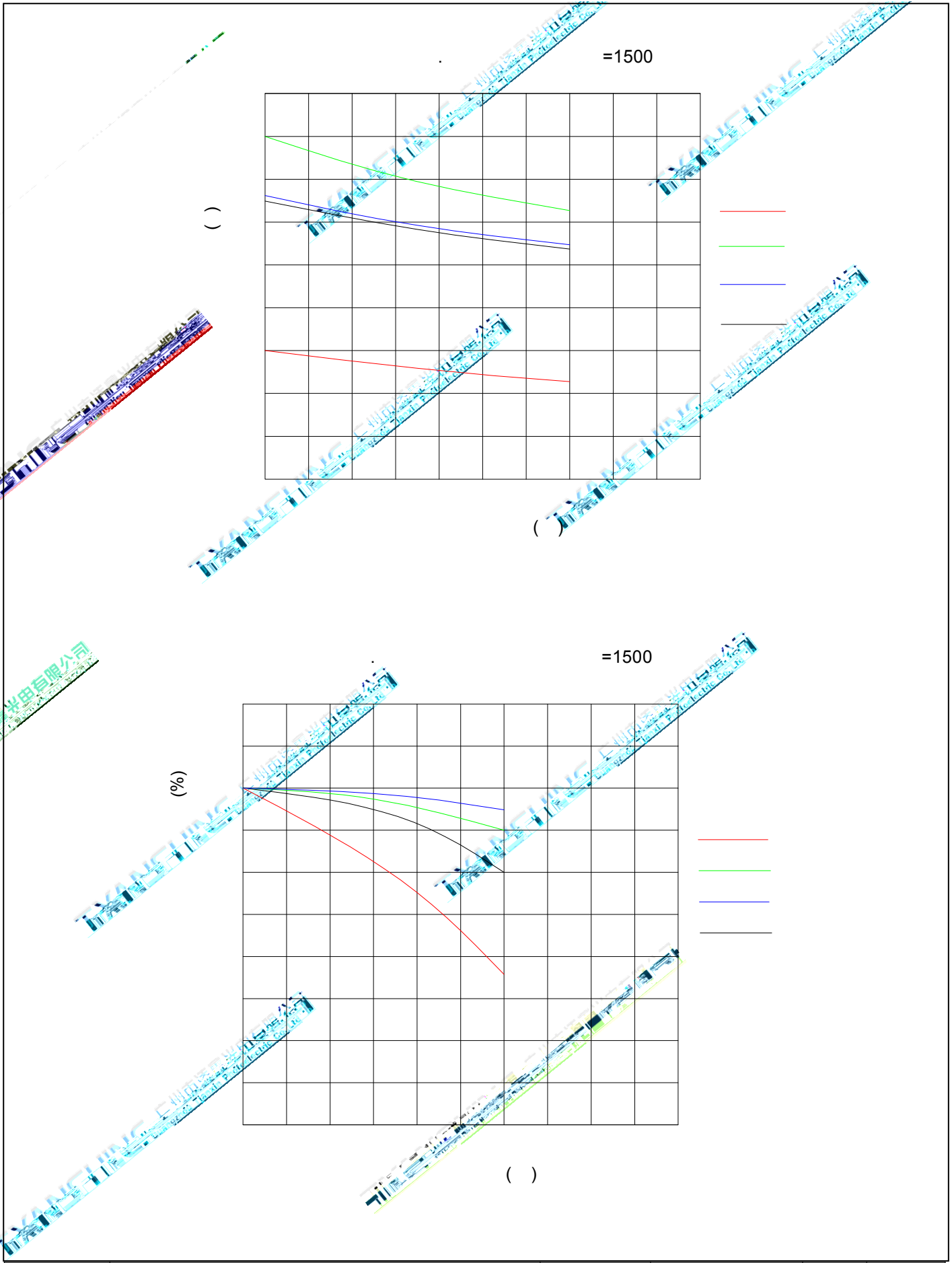
-5050

20 120-

34-02

- 0884

6 10



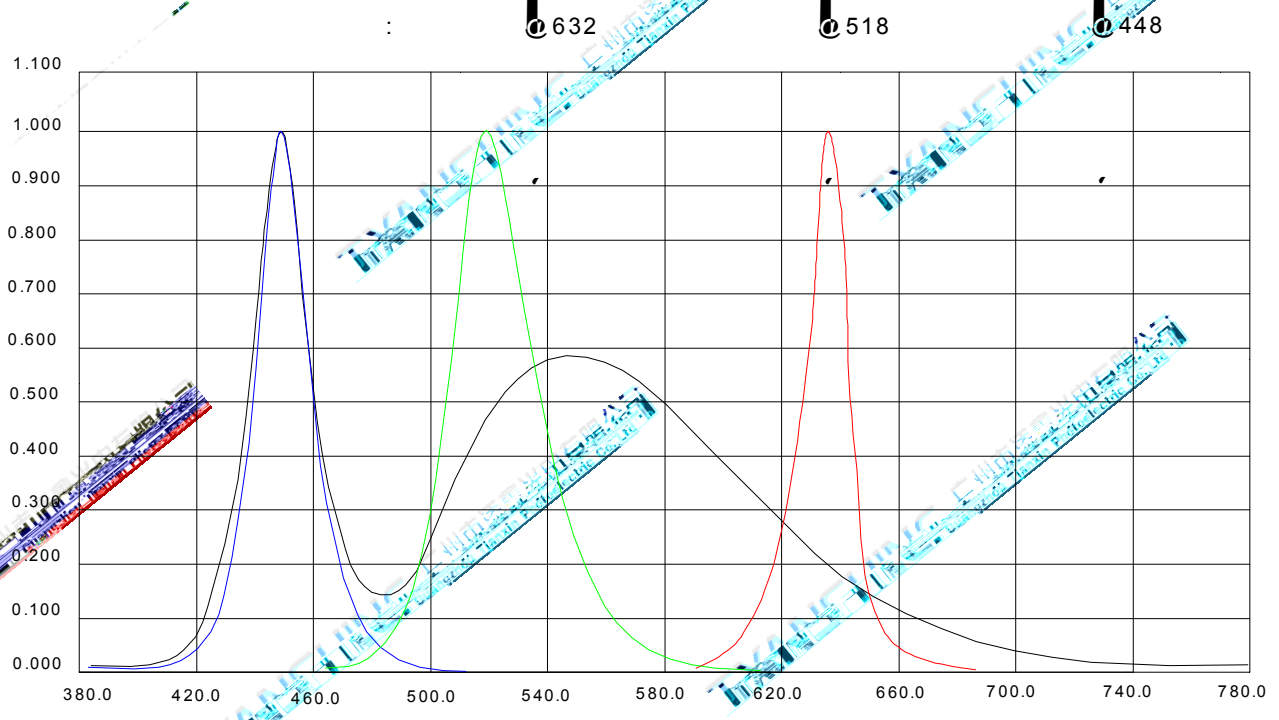
-5050

20 120-

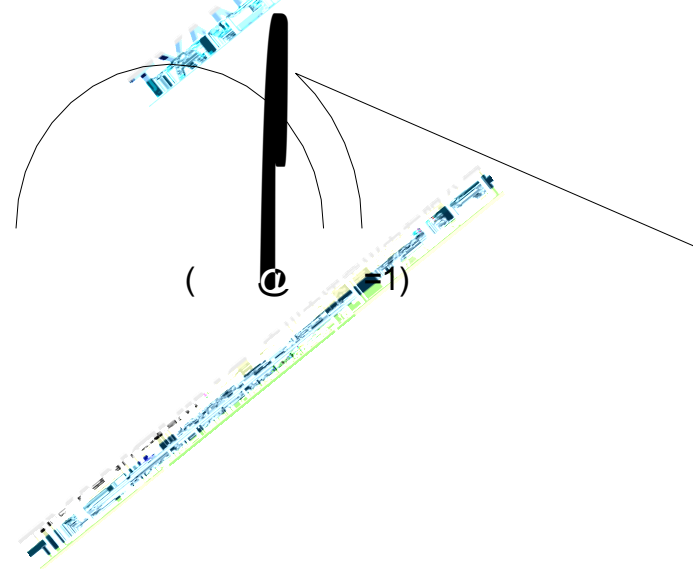
34-02

- 0884

7 10



()



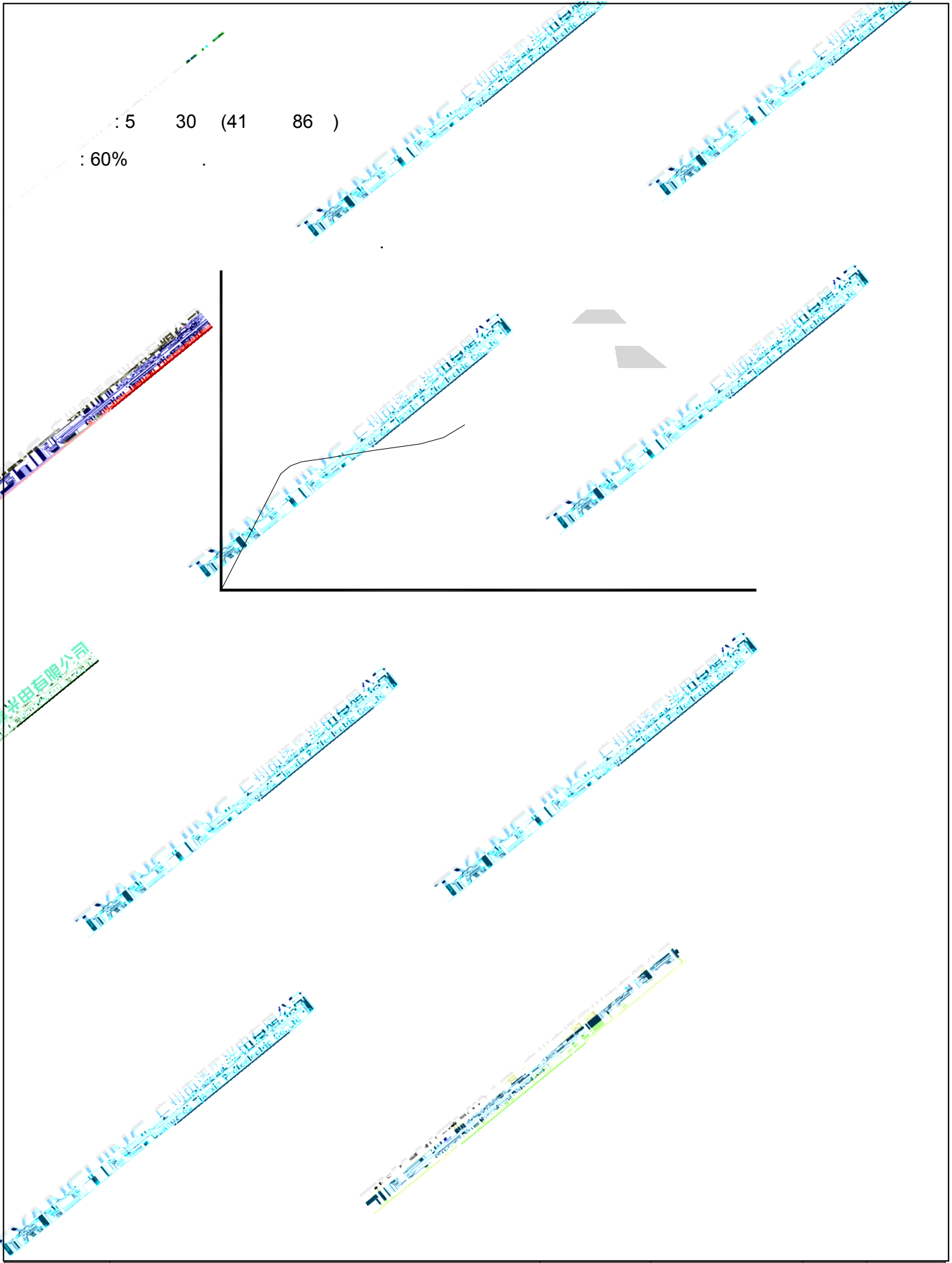
(①)

-5050	20	120-	34-02	.	- 0884	8	10
-------	----	------	-------	---	--------	---	----

://

:1.0

: 5 30 (41 86)
: 60%



-5050

20 120-

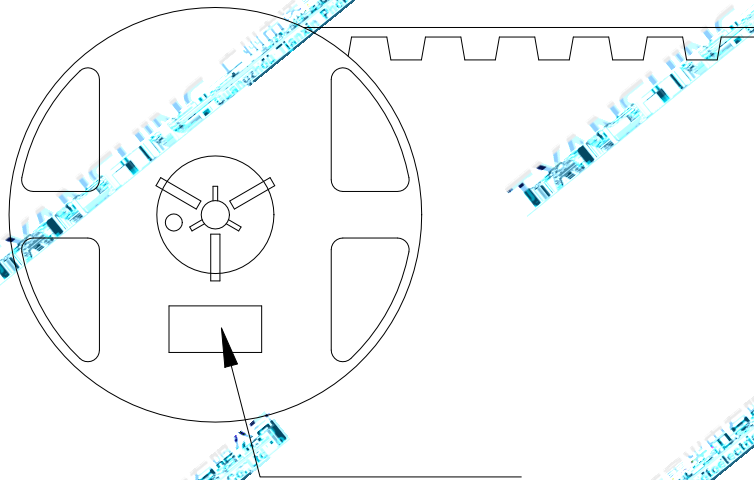
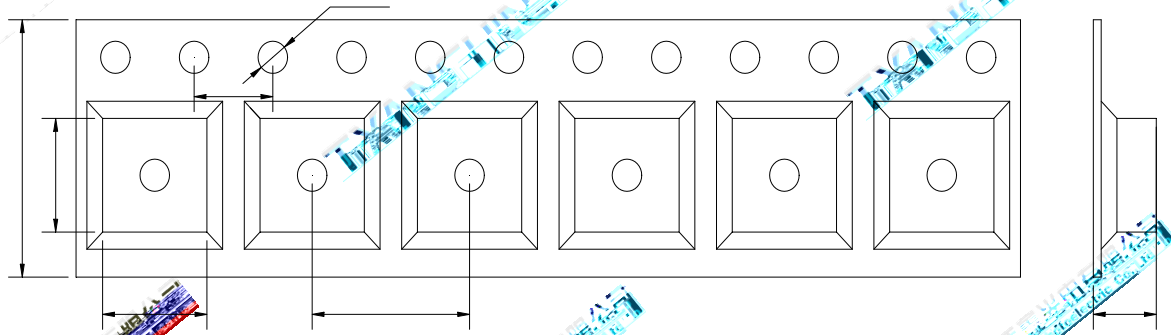
34-02

- 0884

9 10

://

:1.0



- 1.
- 2.
- 3.

2.0

-5050

20

120-

34-02

- 0884

10 10

://

:1.0